

CFValve™ 2X-3 WF

Accurate, Repeatable Flow Control
for Beverage and Food Components

- ▶ Low Cost Plus Accuracy $\pm 3\%$ of Target Output
- ▶ Operating Pressures from 10.5 PSI to 40 PSI
- ▶ Flow Regulation Over a Wide Range (0.50 GPM to 7 GPM)
- ▶ Stainless Mounting Bracket Allows Mounting any Orientation
- ▶ 3/4 FNPT Inlet and 3/8 MNPT Outlet

The Newton 2X-3 WF (water and food contact) CFValve™ brings economical, accurate, and repeatable flow control to the beverage and food dispensing and processing industry. It is used in batch production and autofill systems, as well as dispensers. With standard NPT fittings and a maximum inlet pressure of 350 PSI, the Newton 2X-3 CFValve™ is an adaptable, robust part of any food or beverage system.

Specifications

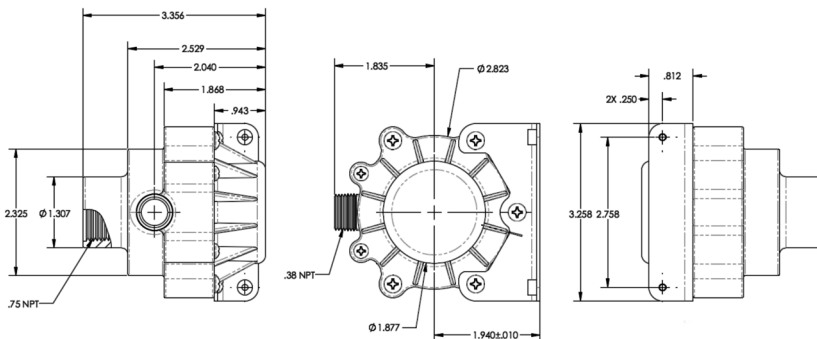
Wetted Materials

| | |
|--------------------------|--|
| Body | Delrin® FG500 |
| Diaphragm | Momentive™ LIM6050 Silicone |
| Throttle Pin | 304 Stainless Steel |
| Operating Pressure Range | 10.5 PSI–40 PSI, Factory Set |
| Minimum Input Pressure | Operating Pressure + 5 PSI |
| Maximum Input Pressure | 350 PSI |
| Operating Temperature | Freezing Point of Media–302°F/150°C |
| Output Flow Range | 0.5 GPM–7GPM (Dependent on orifice and operating pressure) |

| | |
|----------------|----------------------------|
| Certifications | NSF® 61/169 |
| Accuracy | $\pm 3\%$ of Target Output |

Inlet/Outlet Ports:

| | |
|--------|----------------|
| Inlet | 3/4 NPT Female |
| Outlet | 3/8 NPT Male |



Contact Information

Newton CFV, Inc. T: 772-202-7783 info@newtoncfv.com
 100 Sebastian Industrial Place F: 772-388-6095 www.newtoncfv.com
 Sebastian, FL 32958

